

issues

SERVICE INSTRUCTION no. 2019/1 – revision 1
Pilot Restraint Harness Fixing Point Installation

Cause: Regulation (EU) No 2018/395
With reference to: Kubicek Baskets
Action: Pilot Restraint Harness Fixing Point installation

Part Definition

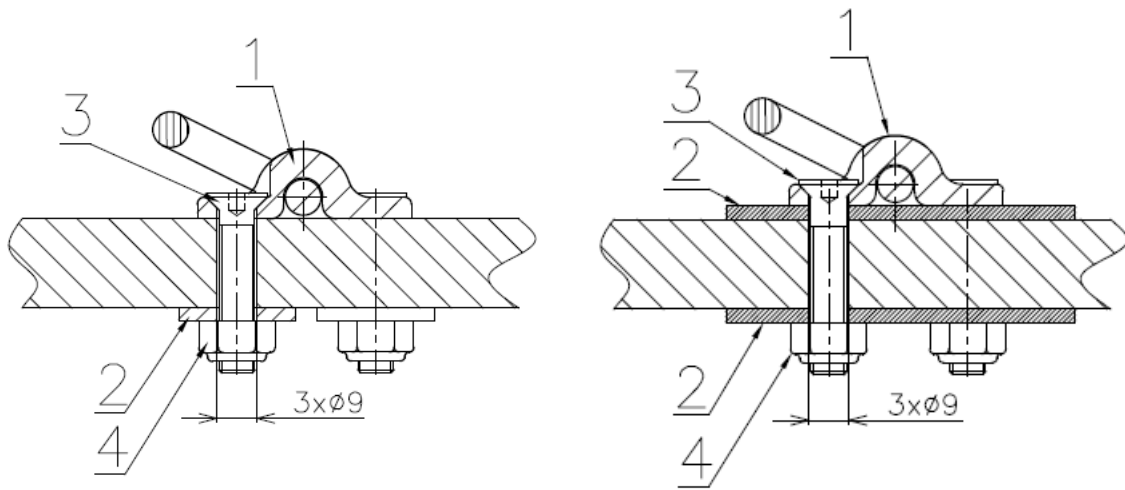


Figure 1: part definition for wooden floor (left) and composite floor (right)

Required Material

54582.01 – Pilot restraint harness – fixing point (floor 12mm, 15mm)			
Number	Part Number	Part	Quantity
1	2993.00	Wichard 6505 Fitting	1
2	2978.00	Washer 9	3
3	3544.00	Hexagon socket countersunk head cap screw, M8x35	3
4	2748.00	Self-locking Nut M8	3

Table 1: material required for **wooden floor 12mm, 15mm** (standard for all open type baskets except K13S and for compartment baskets up to K32T and K32Y)

54582.02 – Pilot restraint harness – fixing point (floor 21mm)			
Number	Part Number	Part	Quantity
1	2993.00	Wichard 6505 Fitting	1
2	2978.00	Washer 9	3
3	3358.00	Hexagon socket countersunk head cap screw, M8x40	3
4	2748.00	Self-locking Nut M8	3

Table 2: material required for **wooden floor 21mm** (standard for K32TT and bigger baskets)

54582.03 – Pilot restraint harness – fixing point (composite floor)			
Number	Part Number	Part	Quantity
1	2993.00	Wichard 6505 Fitting	1
2	57715.00	Pilot Restraint Harness Fitting Pad	2
3	3544.00	Hexagon socket countersunk head cap screw, M8x35	3
4	2748.00	Self-locking Nut M8	3

Table 3: material required for **composite floor** (standard for K13S basket)

Equipment

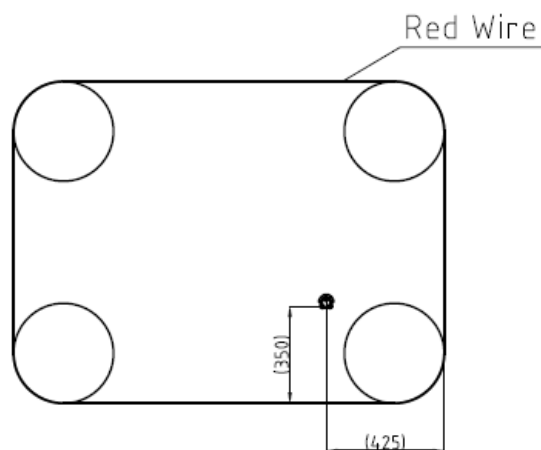
Before the installation make sure to have ready these items:

- drill
- ø9mm drill bit
- open-end wrench size 13
- hex key size 6

Installation

1. Before the installation choose the fixing point position carefully. Initial position is defined in Figure 2 and Figure 3; however, the position of skids and load wires on basket must also be respected and the presented dimensions adjusted so that the load wires nor the skids are damaged by drilling.

Open type baskets



Y type baskets

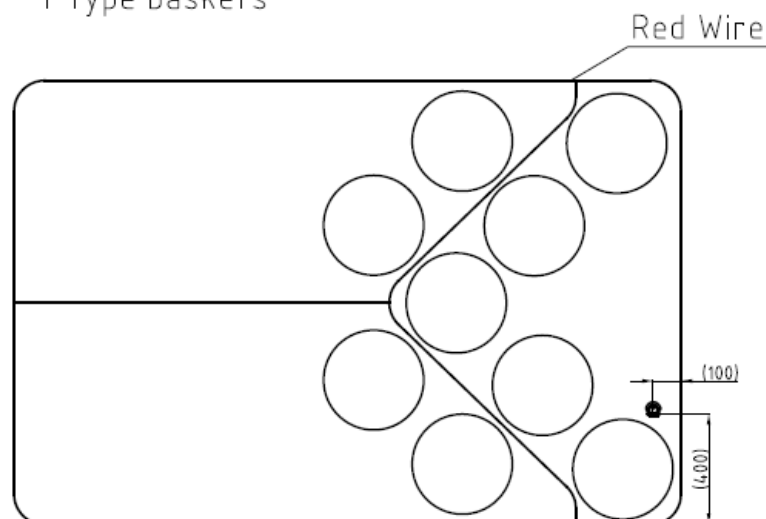


Figure 2: fixing point initial position for open and Y type baskets (top view)

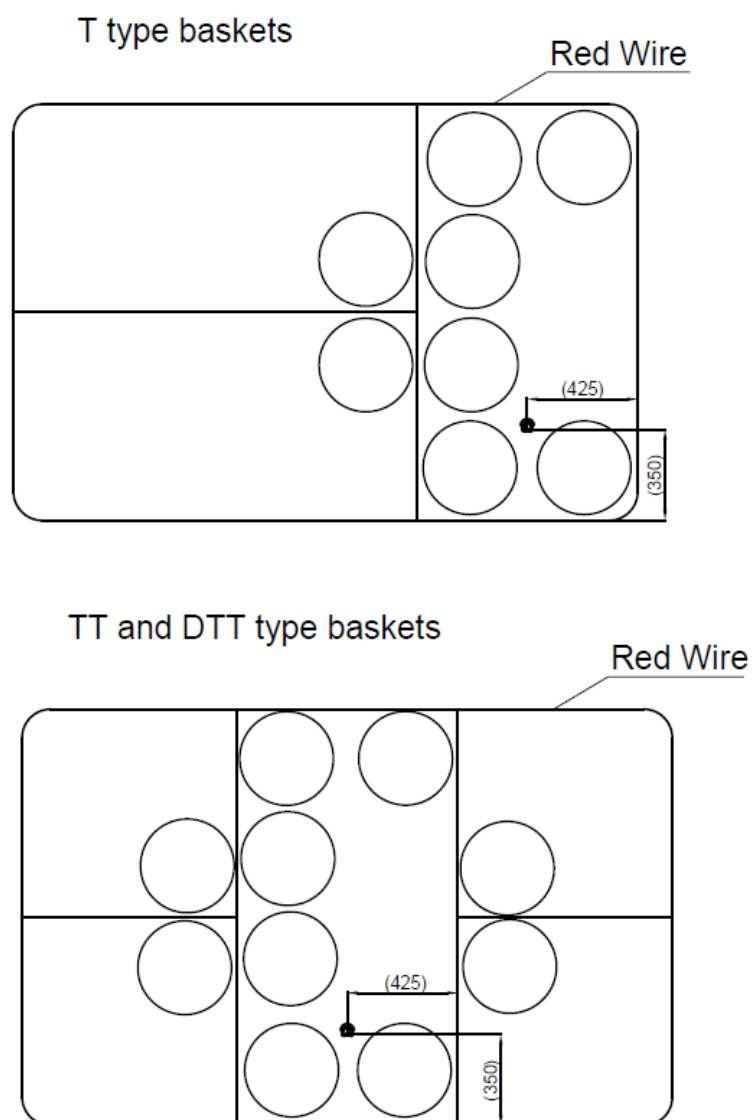


Figure 3: fixing point initial position for T, TT and DTT type baskets (top view)

2. After defining the fixing point position drill 9mm holes through the floor. Necessary dimensions are defined in Figure 4.

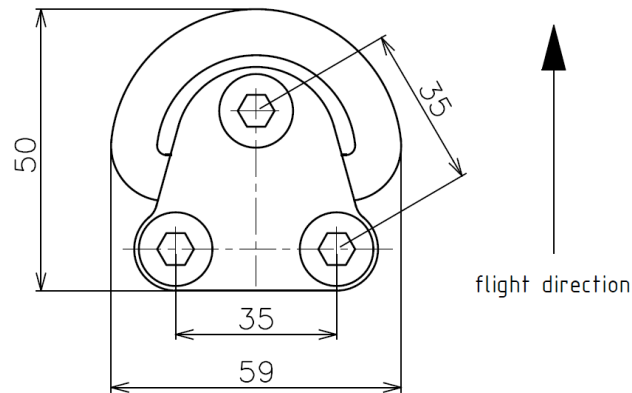


Figure 4: drilling dimensions definition

3. Depending on floor type install the fixing point as seen in Figure 1.
4. If applicable, cut a circular opening for the fixing point in cushion floor.

Allowed combinations

With Kubicek pilot restraint harness fixing point any certified restraint harness made by other manufacturer may be used unless the harness manufacturer states otherwise.

Warning!

The operation may be carried out only by individuals qualified in accordance with Part - M. National aviation authorities may require a higher maintenance standard (e.g. AMO, Part 145).

Should you have any question, please contact the balloon manufacturer at technical@kubicekballoons.cz

Technical content of this document is approved under the authority of DOA No. EASA.21J.277.

On behalf of BALÓNY KUBÍČEK spol. s r.o.

Ing. Petr Kubíček, technical director

Datum: 31 January 2019